



660 Series Digital Indicators

Models 660, 662, 663 and 665



SPECIFICATIONS

ELECTRICAL

- Power Input:** AC, 90 – 250 VAC, 50/60 Hz, DC, 10 – 32VDC
- DC Output:** +5VDC, +24VDC
- Excitation Voltage:** 10 VDC, short circuit protected
- Excitation Current:** 400 mA, short circuit protected
- Fuse:** 0.8A Slow – Blow (when using AC power)
- Signal Input Sensitivity:** 0.1 – 20 mV/V
- Signal Connection:** 4 or 6 lead with sense leads
- Excitation Power:** 14 – 350 ohm weight sensors

PERFORMANCE

- Full Scale (F.S.):** Selectable 0.01 to 999,990
- A/D Conversion:** 60 Hz
- Resolution:** 100,000d display, 1,000,000 internal
- Flash Memory:** 1 M Bytes
- Zero Track:** Off – 20d
- Zero Range:** Selectable, 0.01-100% Full Scale
- Non-Linearity:** 0.005% Full Scale, Load Cell dependent
- Operating Temperature:** -10° C to +40° C
- Units of Measure:** 4 user defined per scale, 2 custom units
- Time/Date Clock:** Real time clock

KEYPAD

- All Models:** Durable elastomeric rubber, 28 Key (Zero, Print, Units, Tare, Select, Enter, 5 Function, Scale Select, Clear ID, Start, Stop, Setup and Full Numeric)

DISPLAY

- VFD (660/665):** Bright 6 digit 75" (20.3mm) Vacuum Fluorescent with 2x5 (10 character) dot matrix for scale status and operator prompting.
- (665):** Bright 4 line x 20 character Vacuum Fluorescent Display, 0.31"
- LCD (662):** 8 line x 40 character graphic display, backlight, 3 font sizes
- (663/665):** 16 line x 40 character graphic display, backlight, 3 font sizes

COMMUNICATIONS

- Port 1:** RS232 Full Duplex serial port or RS 485 or 20 mA optional
- Port 2, 3:** RS232 Full Duplex
- Port 4:** RS232 Full Duplex or TTL interface to 4x20 VFD
- Protocols:** Modbus™, (DeviceNet™, Profibus®, Ethernet optional)
- Baud Rate:** 150 – 115K bps
- Custom Transmit Tables:** 4 – user defined RS232 output tables
- Input Interpreter Tables:** 15 – user defined RS232 input tables

660 Series Digital Indicators

TECHNICAL SPECIFICATION

SPECIFICATIONS CONTINUED FROM PREVIOUS PAGE

PROCESS CONTROL

- I/O Scan Rate:** 16 ms maximum
- Number of I/O:** 128 combination, input and output
- PDIO Frequency:** 8Hz – 100KHz
- PDIO Voltage:** 5 VDC
- Counter Input Frequency:** PDIO 8Hz – 100K Hz

ENCLOSURE

- Stainless Steel:** NEMA 4X, IP66 design
- Shipping Weight:** 660/662 7 lbs., 663 47 lbs., 665 13lbs.

APPROVALS

- NTEP COC# 01-013
- PTB
- CE
- Canadian Weight and Measures AM-5416
- ETL

OPTIONS

- Analog Output Module:** 0-10 VDC, 20mA, 4-20 mA, optically isolated, Software adjustable zero/gain (8 analog modules max.)
- Multi-scale Module:** allows for simultaneous monitoring of an additional signal input

I/O Relay Module: 8 variations of Quad I/O boards. (AC & DC – 4 output, 4 input or 2 in/ 2 / out) only one option mounts inside the enclosure.

RS485 Module: Isolated multi-drop with 251 devices max, half or full duplex up to 4000 feet, 56K bps max

20mA Current Loop: Isolated TX-Active or Passive, RX-Passive, 9600 bps max, 12VDC, 1000 foot loop

Database: 256K, 1 Meg, 2 Meg RAM, battery backed

Alpha Keypad: Elastomeric, available on the 663 only

SCR Module: max load 1.75A RMS, 20-280VAC, 50/60Hz

Dura-shield: 0.020" layer of weatherable lexan film with adhesive backing, applies to the front of the indicator, keeps display and keypad clean in extreme environments

Reflash Software: download firmware enhancements and update

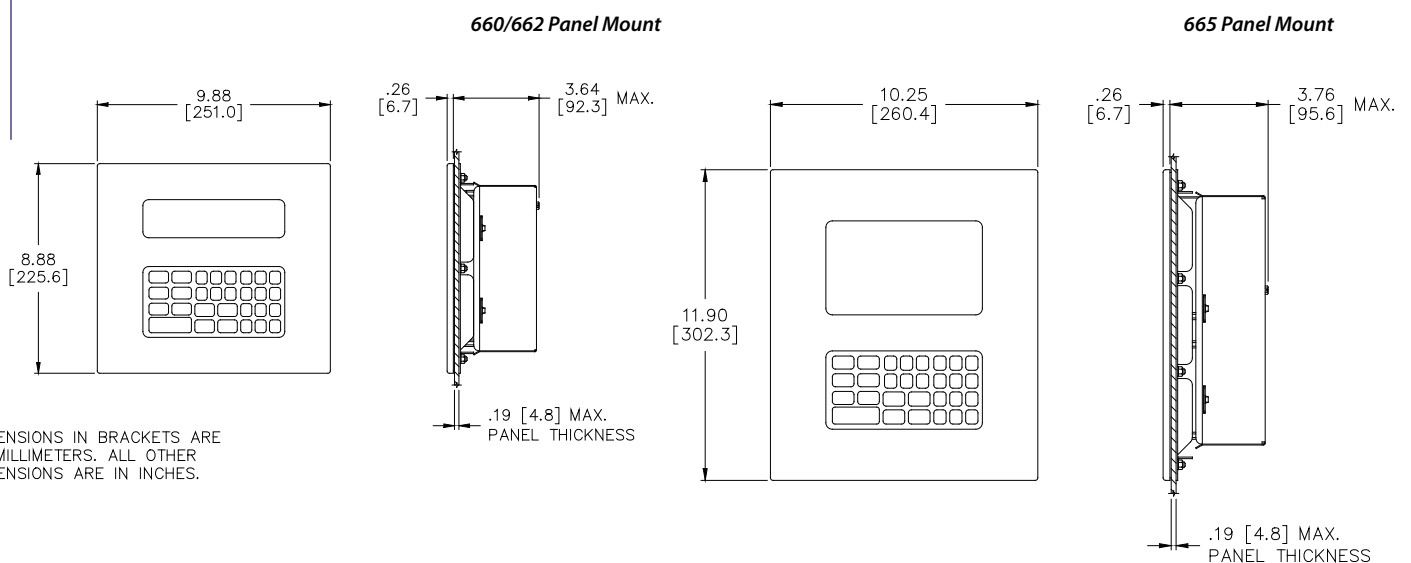
DeviceNet™: ODVA approved interface module for fieldbus networking

Profibus®: PTO approved interface module for fieldbus networking

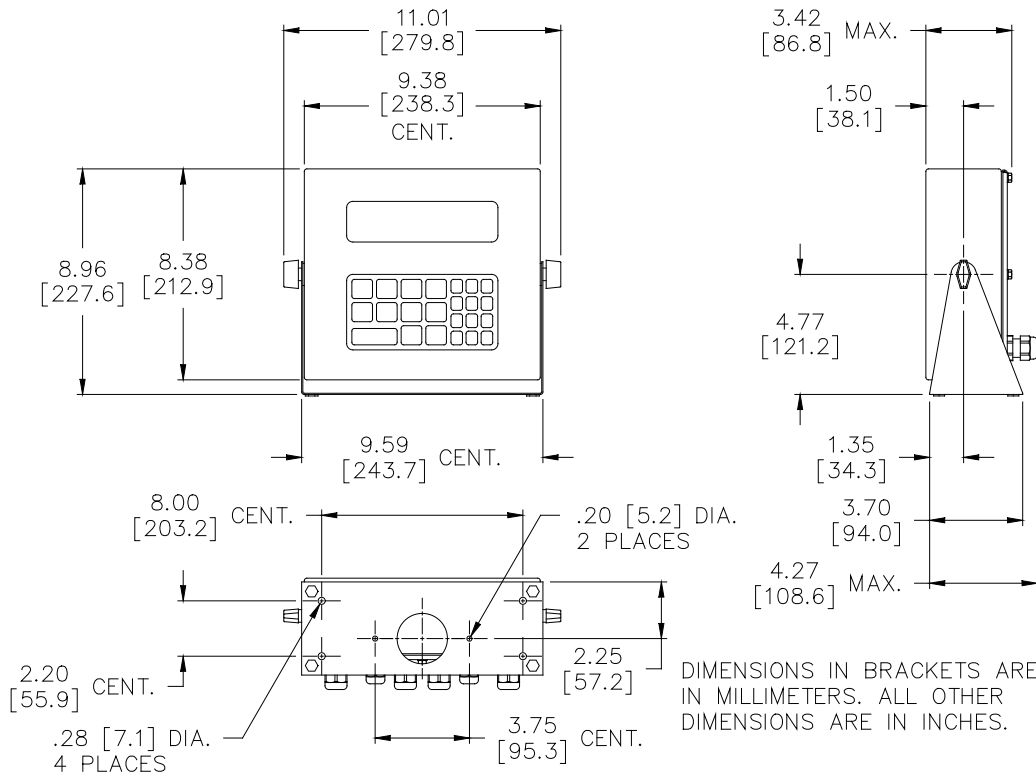
Ethernet: Communication via intranet or internet connection

STVS: Severe transient voltage suppressor

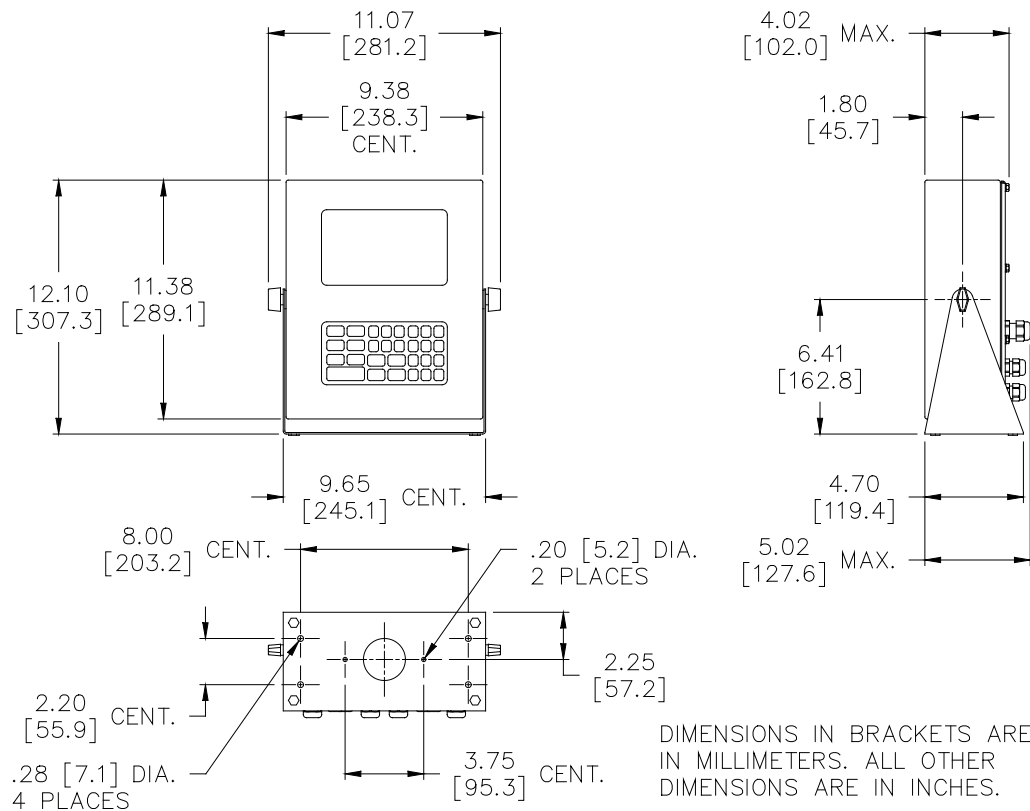
DIMENSIONS



660/662



665

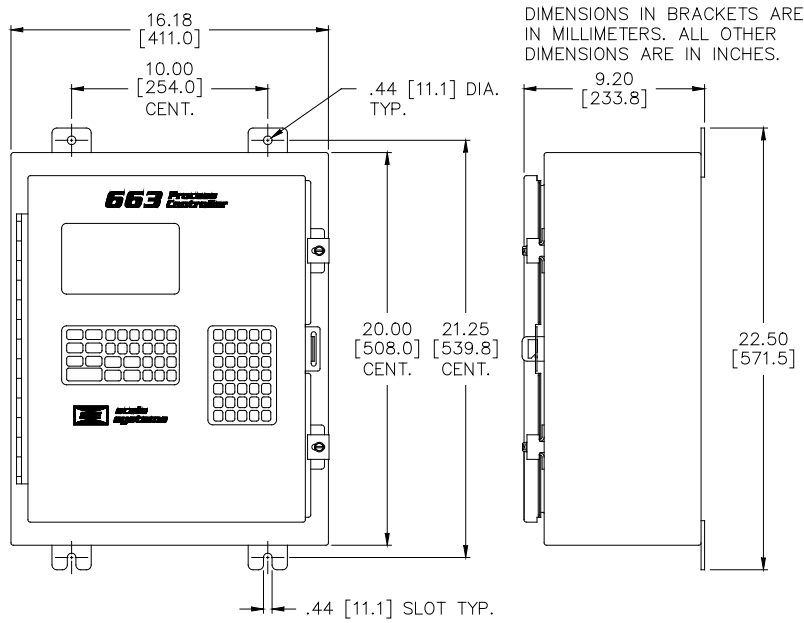


660 Series Digital Indicators

TECHNICAL SPECIFICATION

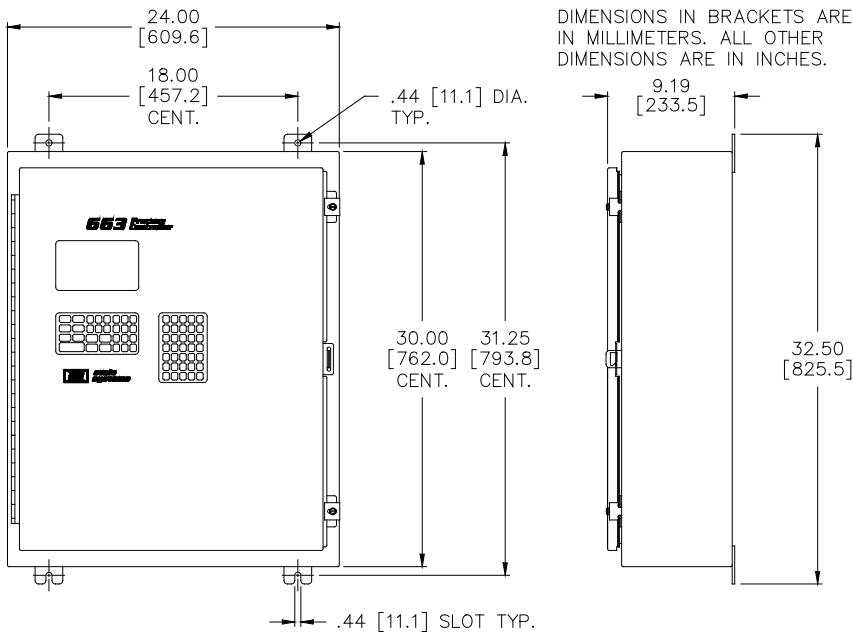
DIMENSIONS CONTINUED FROM PREVIOUS PAGE

663 (16 x 20 in)



DIMENSIONS IN BRACKETS ARE IN MILLIMETERS. ALL OTHER DIMENSIONS ARE IN INCHES.

663 (24 x 30 in)



DIMENSIONS IN BRACKETS ARE IN MILLIMETERS. ALL OTHER DIMENSIONS ARE IN INCHES.

Avery Weigh-Tronix

Avery Weigh-Tronix - USA
 1000 Armstrong Drive
 Fairmont, MN 56031- 1439 USA
 usinfo@awtxglobal.com
 Toll-Free: (800) 533-0456
 Phone: (507) 238-4461

Avery Weigh-Tronix - UK
 Foundry Lane, Smethwick
 West Midlands B66 2LP UK
 info@awtxglobal.com
 Phone: +44 (0) 121 568 1660
 Fax: +44 (0) 121 697 5660



Please call us or visit
www.gse-inc.com
 for your nearest
 GSE Distributor

